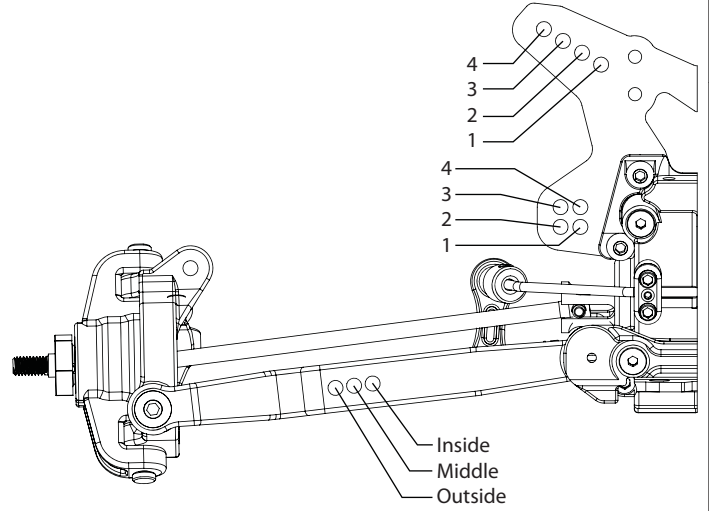


Name: **Aaron Kothman** Date: **1/8/17** Event: **30th CRCRC Midwest**
 City: **Jeffersonville** State: **Ohio** Track: **Ohio R/C Factory**

Track Conditions: Indoor Tight Smooth Hard Packed Blue Groove Wet Grass Low Bite High Bite
 Outdoor Open Rough Loose/Loamy Dry Dusty Astro Turf Med Bite Other _____

Front Suspension

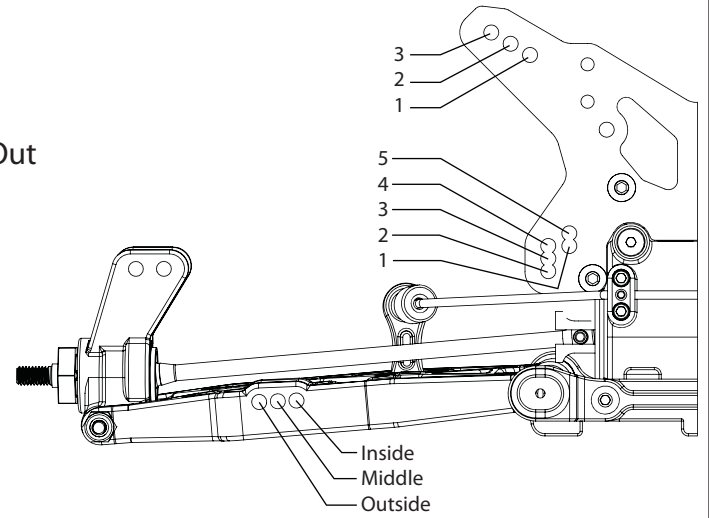
Ride Height: **24mm**
 Camber: **-1 deg**
 Toe: **+1 deg**
 Forward Front Pill: 1↓ .5↓ 0 .5↑ 1↑
 Rearward Front Pill: 1↓ .5↓ 0 .5↑ 1↑
 Steering Ackerman: Long Short
 Bump Steer: **Outer down/Inner down**
 Camber Link: **1**
 Sway Bar: **2.3mm**
 Shock Type: Bladder Emulsion Oil: **TLR 40**
 Piston: **5 x 1.0**
 Spring: **Brown (TLR233020)**
 Shock Limiters: **None** Stroke: _____
 Overall Shock Length: **89mm**
 Shock Location: **3-middle**
 Front Diff Fluid: **7000**
 Center Diff Fluid: **10000**



Notes: _____
Aluminum front top brace TLR331008

Rear Suspension

Ride Height: **24mm**
 Camber: **-1.5 deg**
 Forward Rear Pill: 1↓ .5↓ 0 .5↑ 1↑
 Rearward Rear Pill: 1 In .5 In 0 .5 Out 1 Out
 Camber Link: **5-B**
 Rear Hub Spacing: **3 front 1 rear**
 Sway Bar: **2.2mm**
 Shock Type: Bladder Emulsion Oil: **TLR 37.5**
 Piston: **5 x 1.1**
 Spring: **Silver (TLR5171)**
 Shock Limiters: **None** Stroke: _____
 Overall Shock Length: **95mm**
 Shock Location: **2-middle**
 Rear Diff Fluid: **5000**
 Battery Position: **ESC front - battery rear/middle**

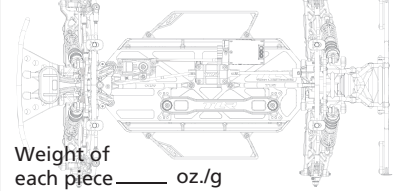


Notes: _____

Electronics

Radio: **DX4R** Timing Advance: _____
 Servo: **S6240** Throttle/Brake Expo: _____
 ESC: **R10 Pro** Servo Expo: _____
 Initial Brake: **Drag** Throttle/Brake EPA: **100/75**
 Drag Brake: **10%** Motor: **Orion VST2 550 4.0**
 Throttle Profile: **9** Pinion: **11** Spur: **40**
 Battery: **Orion 8000mah**

Weight Placement
(Mark with "X")



Weight of each piece _____ oz./g

Tires	Compound	Insert	Additive
Front: PL Electron	MC	Stock	None
Rear: PL Electron	MC	Stock	None
Notes: TQ and Win			